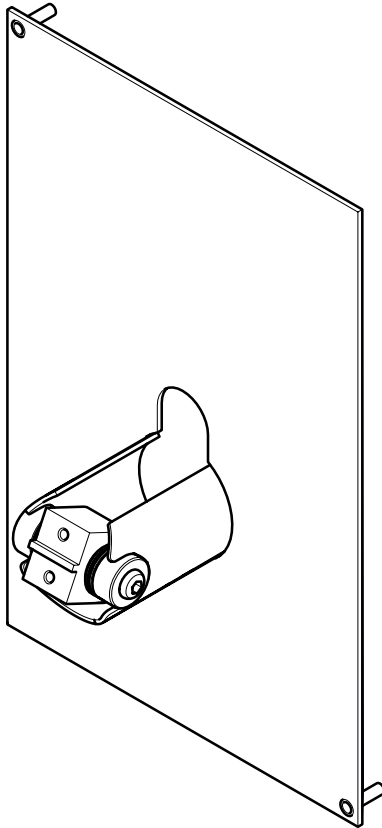


Installation Guide

SPSK504

SCO Kiosk set for DuraTilt



CAUTION

This product is intended for indoor use only.

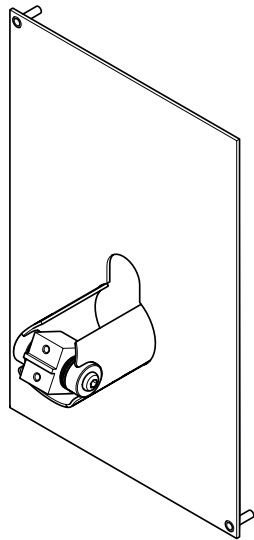
If these installation instructions are not followed correctly, it could lead to product failure and potential personal injury.

Ergonomic Solutions/SpacePole cannot be held responsible for any failure or injury, if the installation instructions are not followed correctly.

Tool list



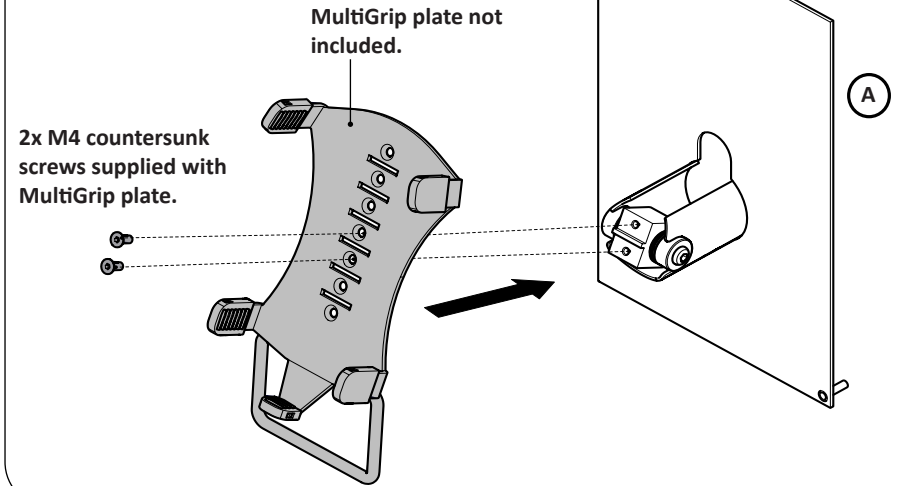
Box content



x1 Cover with DuraTilt (A)

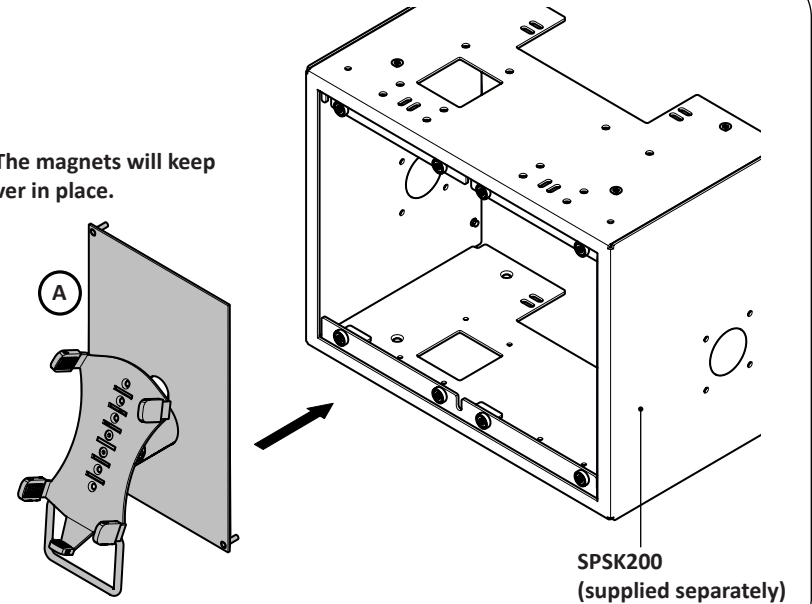
 x2 M4 nuts

1 Mount MultiGrip plate on cover

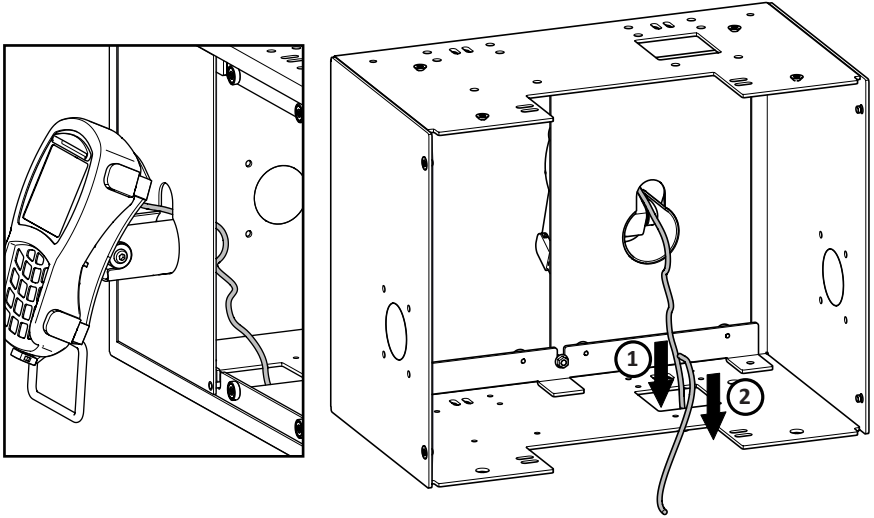


2 Mount cover on Center module

Note: The magnets will keep the cover in place.

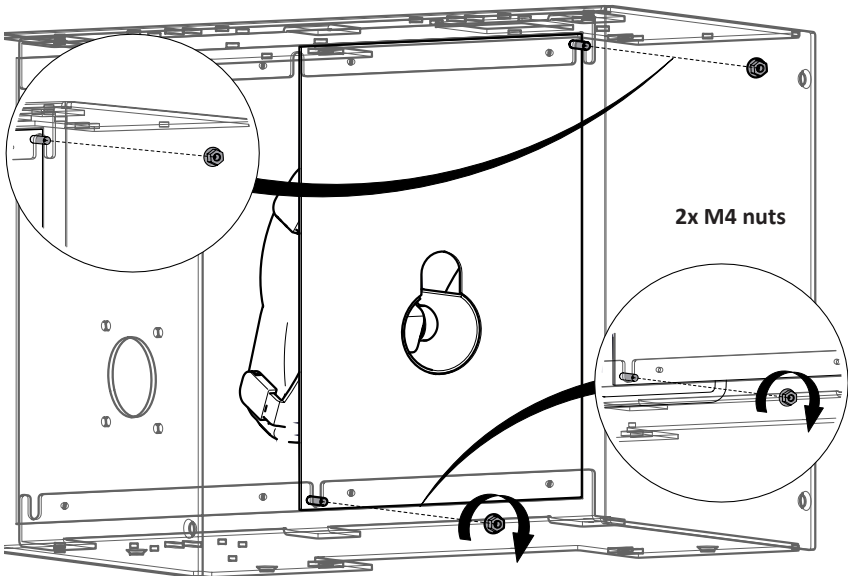


3 Route cables



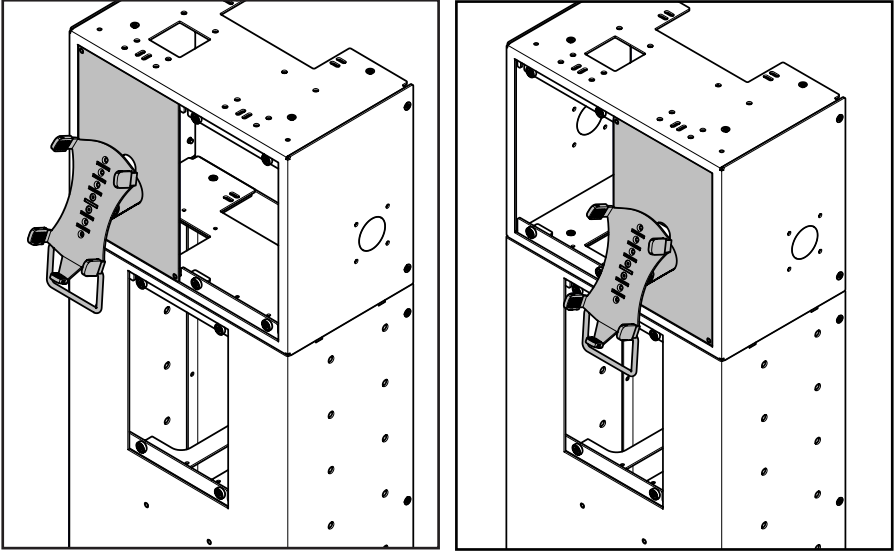
Two options for cable management.

4 Secure cover with nuts



Three options for mounting places

Center module



Floorstand

